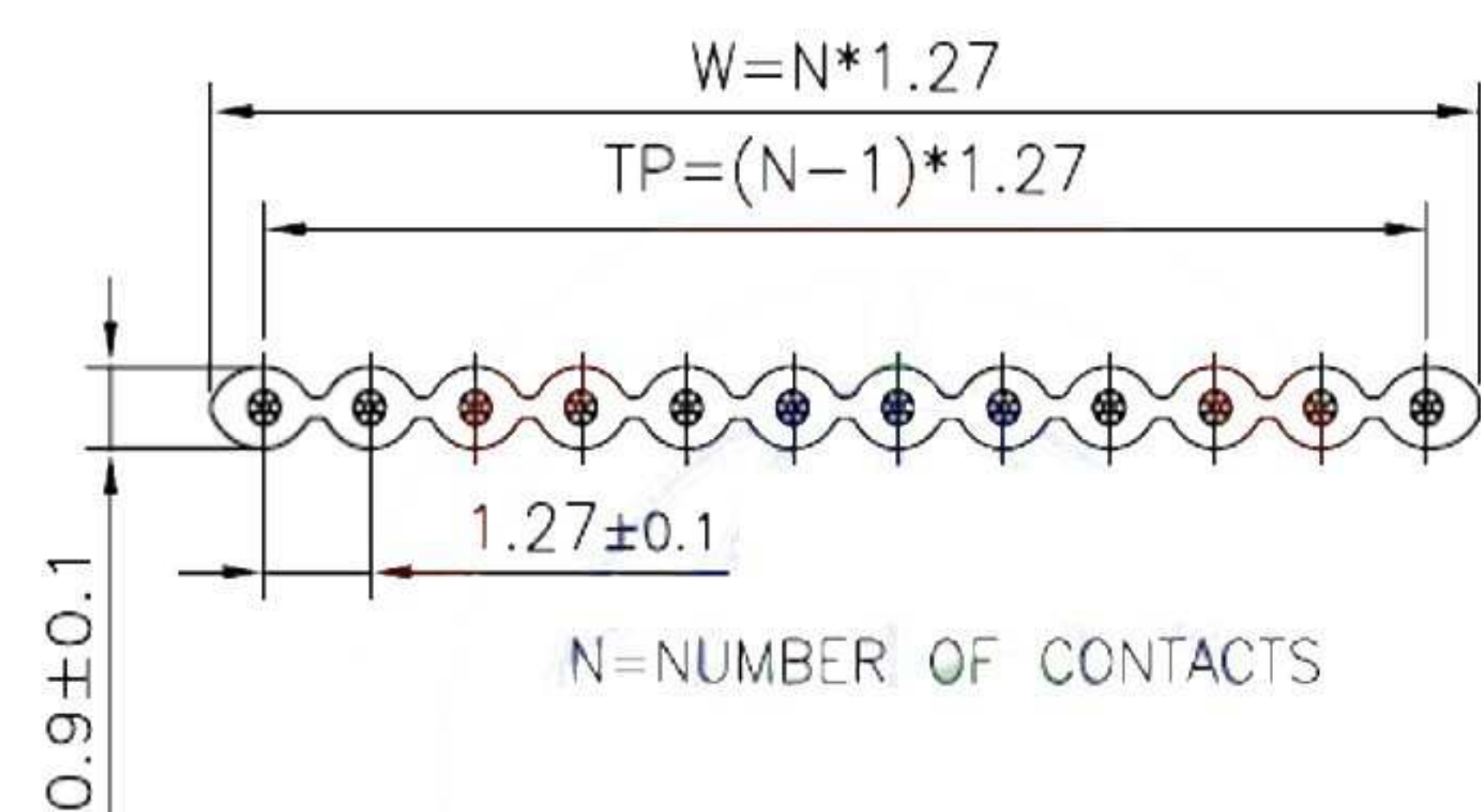


REV.	DESCRIPTION	DRAWN	CHECKED	APPROVED
A	NEW RELEASE	YCH 04/20/07	~	LJC 04/20/07
B	整理图面	YCH 05/14/07	~	LJC 05/14/07
C	整理图面	YCH 10/17/07	~	



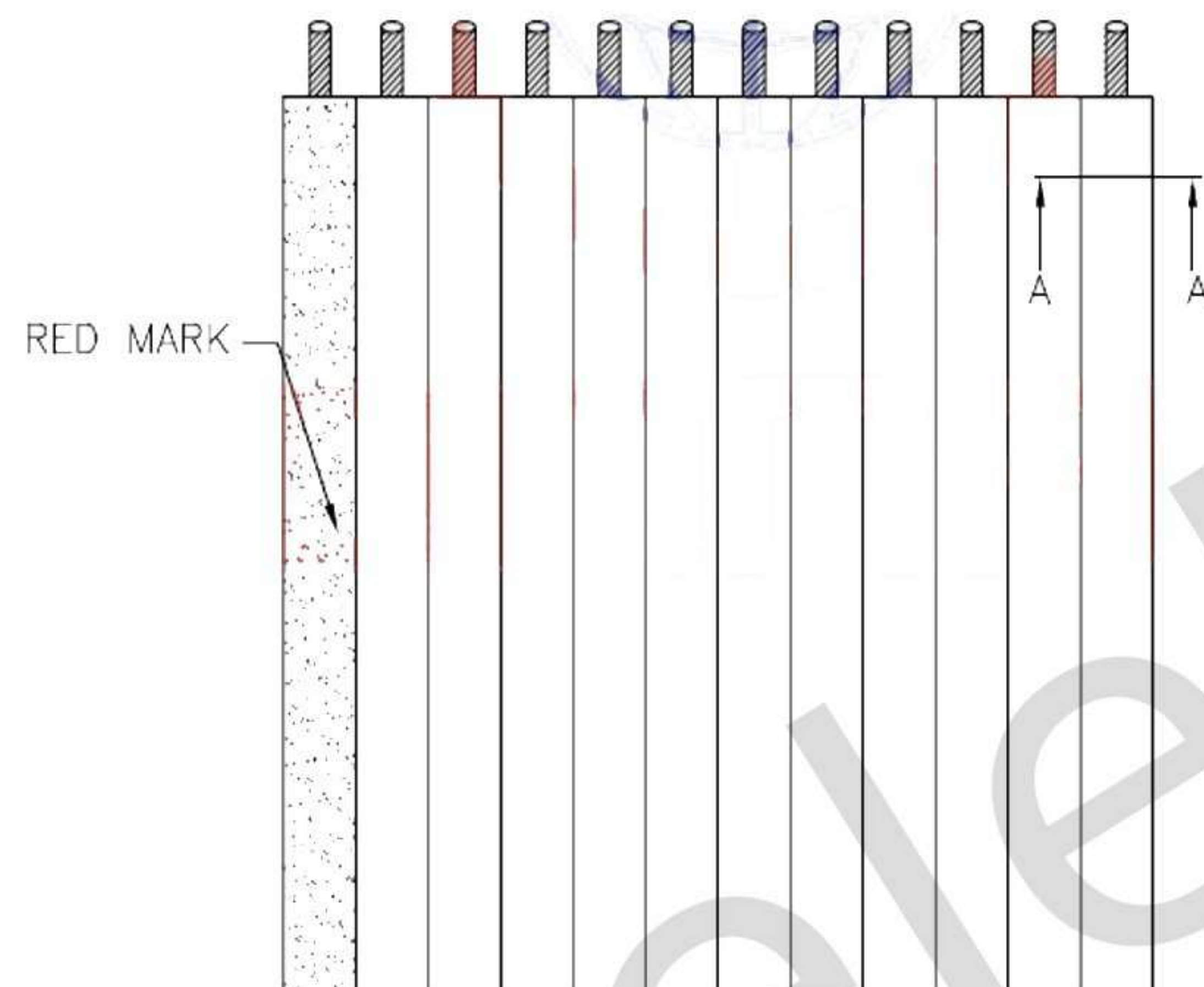
NOTES:

- Insulation material: PVC  
Color: Grey
- SPECIFICATION
  - Rating: 300V
  - Conductor Size: 28AWG or 30AWG.
  - Insulation resistance: 100MΩ/km min.
- APPLICATION
  - Internal wiring of computers, electronic exchanges, measurement control devices, business machines, communication devices, and other electronic equipment.

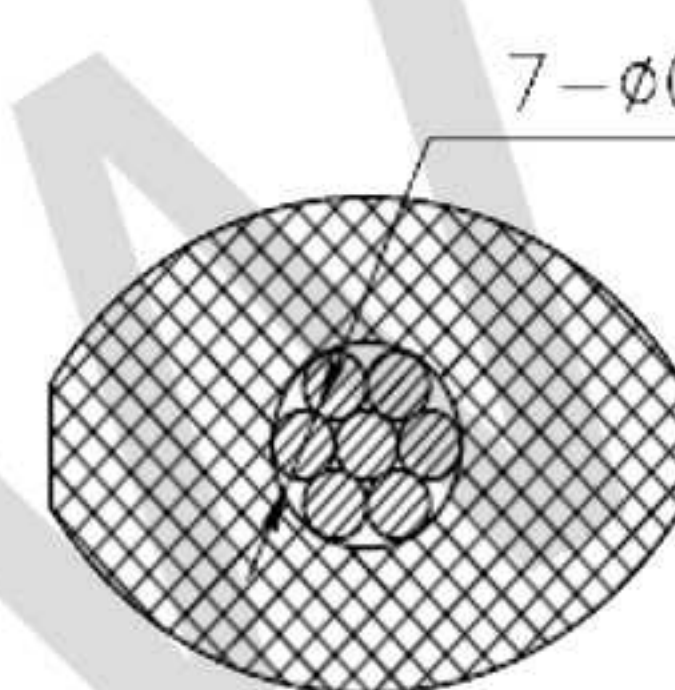
Edge mark  
R:Red mark

2:  $\phi 0.127$  (28AWG)  
Wire AWG  
28: 28AWG

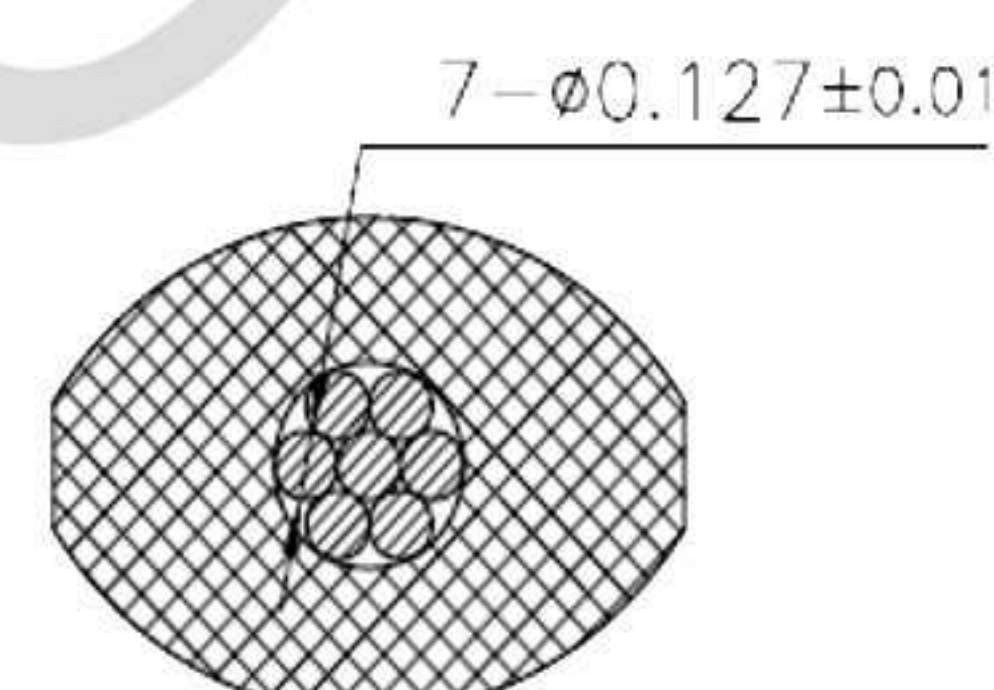
Cable color  
A: Gray



Number	Dimensions			Max. conductor resistance DC 20°C Ω/m
	TP(mm)	W(mm)	Tolerance	
10	11.43	12.70	±0.30	$\phi 0.100 < 0.397$
14	16.51	17.78	±0.30	
16	19.05	20.32	±0.30	
20	24.13	25.40	±0.30	
24	29.21	30.48	±0.30	
26	31.75	33.02	±0.30	$\phi 0.127 < 0.237$
30	36.83	38.10	±0.30	
34	41.91	43.18	±0.40	
40	49.53	50.80	±0.40	
50	62.23	63.50	±0.40	
60	74.93	76.20	±0.40	
64	80.01	81.28	±0.40	



SECTION A-A (4:1)



SECTION A-A (4:1)

Oznaczenie	28AWG-xx	
Opis	28AWG GRAY FLAT CABLE, RED MARKED EDGE	
	<b>WW elektronik</b> ul. Kraszewskiego 26 81-815 Sopot	Tel. 058 551-11-15 fax. 058 550-45-17 e-mail: <a href="mailto:info@wwelektronik.com.pl">info@wwelektronik.com.pl</a>
	<a href="http://www.wwelektronik.com.pl">www.wwelektronik.com.pl</a>	